



Perfect Sweep TURBO™

USER'S GUIDE

2880 SERIES

- 3 Safety Instructions
- 4 Product View
- 4-5 Assembly
- 6-7 Operations / Maintenance
- 7 Troubleshooting
- 7 Replacement Parts
- 8 Warranty





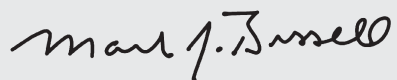
Thanks for buying a Perfect Sweep TURBO

We're glad you purchased a Perfect Sweep TURBO. Everything we know about floor care and cleaning went into the design and construction of this handy appliance.

Your Perfect Sweep TURBO is well made, and we back it with a limited one year warranty. We also stand behind it with a knowledgeable, dedicated Consumer Services Department, so, should you ever have a problem, you'll receive fast, considerate assistance.

My great-grandfather invented the floor sweeper in 1876. Today, BISSELL is a global leader in the design, manufacture, and service of high quality homecare products like your Perfect Sweep TURBO.

Thanks again, from all of us at BISSELL.



Mark J. Bissell
President and Chief Executive Officer

IMPORTANT SAFETY INSTRUCTIONS

Read all instructions before using the Perfect Sweep TURBO.

 **WARNING:** When using an electrical appliance, basic precautions should be observed, including the following:

- Store indoors.
- Do not expose to rain.
- Do not immerse or use on wet surfaces.
- Do not handle with wet hands.
- Do not use Perfect Sweep TURBO if it has been dropped, damaged, left outdoors or dropped into water - take it to a Service Center.
- Do not damage the charging cord. Never carry or pull by the cord, use cord as a handle, close door on cord, or pull cord around sharp edges or corners. Keep cord away from heated surfaces.
- Do not use an extension cord. DC adapter should plug directly into electrical outlet.
- Do not put any object into appliance openings, or restrict air flow.
- Do not use with any opening blocked.
- Do not pick up hot, burning or smoking objects such as cigarettes, matches or hot ashes.
- Do not pick up flammable or combustible materials (lighter fluid, gasoline, kerosene, etc.) or use in the presence of explosive liquids or vapor.
- Do not use appliance in an enclosed space filled with vapors given off by oil base paint, paint thinner, some moth proofing substances, flammable dust, or other explosive or toxic vapors.
- Do not pick up toxic material (chlorine bleach, ammonia, drain cleaner, gasoline, etc.).

- Do not use for any purpose other than described in this User's Guide.
- Use only the DC adapter supplied by BISSELL to recharge your Perfect Sweep TURBO.
- Use charger unit only in standard electrical outlet (120v - 60hz).
- Keep openings free of dust, lint, hair, etc.
- Disconnect Perfect Sweep TURBO from DC adapter before maintenance or cleaning.
- Be extra careful when cleaning stairs.

This product contains rechargeable nickel cadmium batteries. Do not incinerate batteries or they will explode when exposed to high temperatures.

Battery cell leaks can occur under extreme conditions. If battery cell liquid comes in contact with the skin:

- Wash immediately with soap and water. Then . . .
- Neutralize with a mild acid such as vinegar or lemon juice.

If battery cell liquid gets into the eyes:

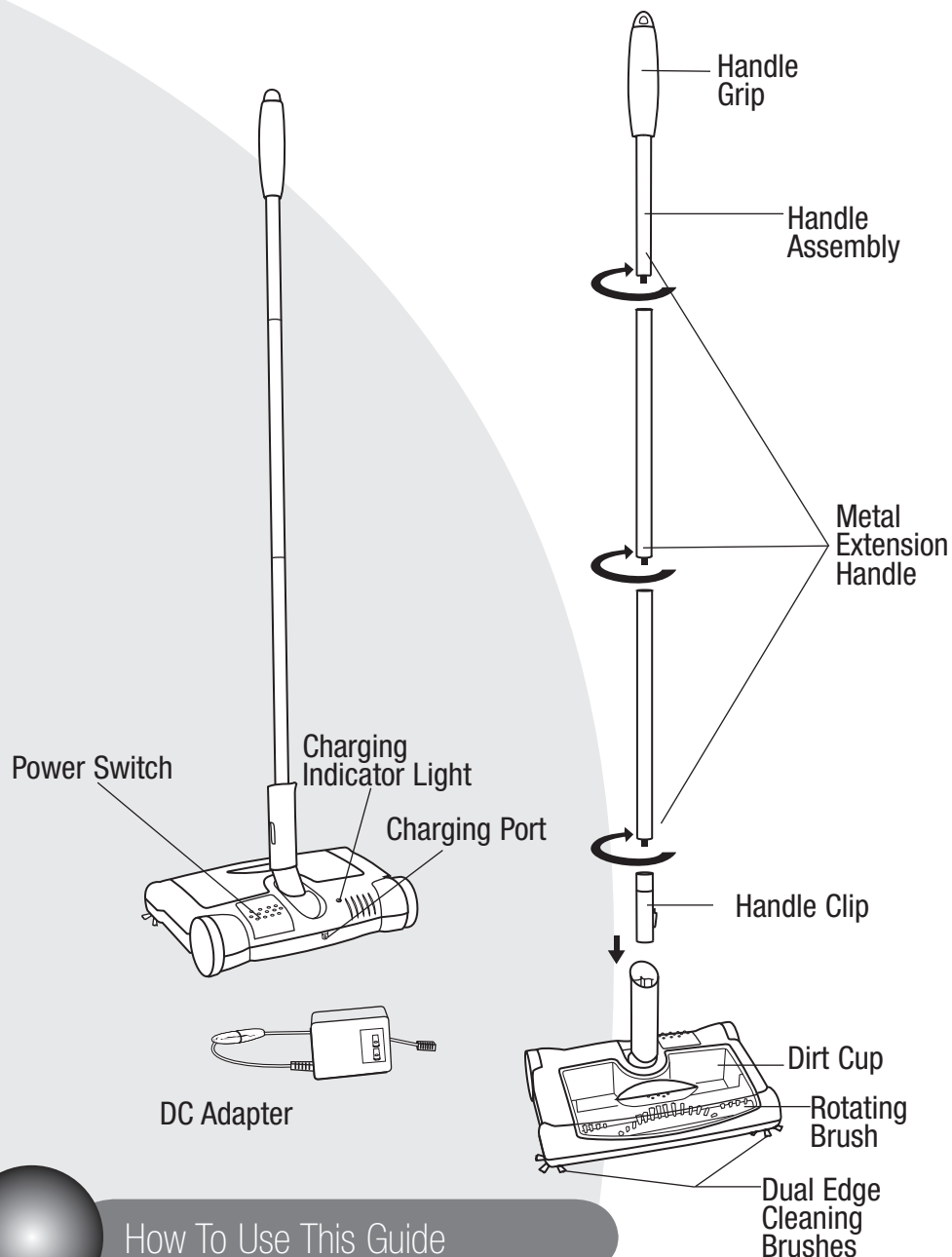
- Flush immediately with clean water for a minimum of 10 minutes.
- Seek medical attention.

SAVE THESE INSTRUCTIONS.

This model is for household use only.

WARNING: The Power Cord on this product contains lead, a chemical known to the State of California to cause birth defects or other reproductive harm.

WASH HANDS AFTER HANDLING.



How To Use This Guide

This User's Guide has been designed to help get the most satisfaction from the Perfect Sweep TURBO rechargeable sweeper. Enclosed you'll find assembly instructions, tips for all cleaning tasks, safety precautions, plus maintenance and troubleshooting instructions.

Please read this Guide thoroughly before using your Perfect Sweep TURBO. Pay particular attention to the parts diagram, assembly instructions and part names. Following the Guide will greatly enhance your ability to get the most performance from your Perfect Sweep TURBO for many years.

⚠ WARNING:
 Electric/electronic appliances should not be subjected to extreme temperatures or high humidity. Do not store the Perfect Sweep TURBO in bathing areas or close to stoves, furnaces or radiators.

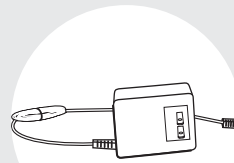
How to Assemble the Perfect Sweep TURBO

The Perfect Sweep TURBO requires very little assembly. Remove it from the box and check it against the illustration to familiarize yourself with the components listed. The exploded view drawing with part names will also be helpful if you should need to order a part at a later time.

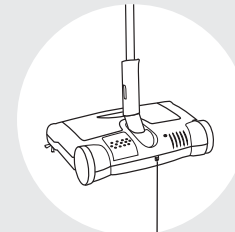
Quick and Easy Assembly

- 1.** Assemble the Handle by screwing together two pieces of the Metal Extension Handle. Place the colored Handle Grip on top of the metal extension assembly and twist clockwise until secure. Screw the Handle Clip into the bottom of the Metal Extension Handle assembly.
- 2.** Place bottom of Handle Clip into the opening at the top of the Perfect Sweep TURBO. Push firmly until the button at the bottom “clicks” into place in the opening.
- 3.** The Perfect Sweep TURBO must be fully charged before using. To charge the unit, plug the DC Adapter into a standard electrical outlet (120v-60hz); plug the opposite end into the Charging Port on the back side of your Perfect Sweep TURBO. The Charging Indicator Light will illuminate when properly connected and will not turn off when fully charged. The Perfect Sweep TURBO is now charging.

Note: The Power Switch must be in the OFF position when charging.



Charging Cord with DC Adapter Plug



Plug into Charging Port on the Motor side of the Perfect Sweep Turbo.

Charging the Battery

- 1.** When completely charged, the Perfect Sweep TURBO provides up to 60 minutes of full cleaning power.
- 2.** When charging for the first time, allow to charge uninterrupted for at least 16 hours. Thereafter, charge at least 12 hours to renew the Perfect Sweep TURBO battery.
Note: The Power Switch must be in the OFF position when charging.
- 3.** Decreased operating time may indicate the battery has built up a charging resistance. To recharge, first completely exhaust the battery, recharge it, then exhaust it again before recharging a second time. This procedure may be required more than once.
- 4.** When charging is complete, be sure to unplug the Perfect Sweep TURBO from the charger.

If your battery still fails to recharge or does not hold a charge of normal duration, call:

BISSELL Consumer Services

1-800-237-7691

Monday - Friday 8 a.m. — 10 p.m. ET

Saturday 9 a.m. — 8 p.m. ET

Or visit our website @ www.bissell.com

How To Use Your Perfect Sweep TURBO

The Perfect Sweep TURBO is a quick and easy way to clean your bare floors and carpet.

1. Tip back the Handle into typical use position and gently tap the Power Switch on the sweeper with your foot.

Note: The unit will not turn on if the Dirt Cup is not secure.

2. To clean small areas, detach the Handle by depressing the Handle Clip button where the bottom of the Handle slides into the Perfect Sweep TURBO and pull the entire Handle Assembly out. Use the Perfect Sweep TURBO by holding the built-in hand grip.

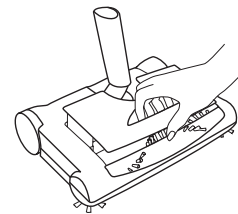
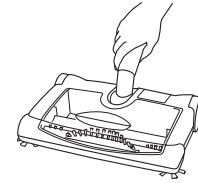
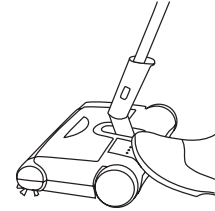
3. When done, replace the Handle (if detached) and store for the next use.

Maintenance

The Dirt Cup should be emptied after each use.

1. Make sure that the Perfect Sweep TURBO is in the "OFF" position.
2. With the sweeper facing toward you, lift the Dirt Cup out.
3. Carry the Dirt Cup to a waste container and empty.
4. Replace the Dirt Cup by gently pressing it into the foot of the sweeper. Make sure that it fits securely.
5. Clean exterior surfaces with a soft cloth dampened with water only. Do not use a strong detergent or other cleaner - this may damage the finish. Always unplug the Perfect Sweep TURBO from the electrical outlet before cleaning the surface.

WARNING:
Perfect Sweep TURBO will not pick up crayons, marbles, and other large or hard objects.

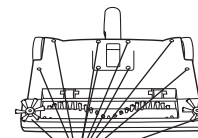


See the following instructions to dispose of the batteries after they have exceeded the battery life.



WARNING: This product contains a nickel-cadmium (Ni-Cd) rechargeable battery pack. According to Federal and State regulations, removal and proper disposal of Ni-Cd batteries is required. For removal of the battery pack in your Perfect Sweep TURBO, see instructions below:

1. **IMPORTANT:** Unplug charger.
2. Remove handle and dirt cup.
3. Remove (10) Phillips head screws on the bottom cover as shown in picture.
4. Separate top and bottom cover.
5. Remove wire connectors from the battery pack.
6. **Keep Battery Pack together - DO NOT separate individual batteries.**
For specific disposal instructions of batteries, please contact:
RBRC (Rechargeable Battery Recycling Corporation) 1-800-822-8837 or
visit the website: www.rbrc.com
7. Discard remainder of product.



10 Screws

Caution: Disconnecting the battery will destroy the appliance and invalidate the warranty.

Troubleshooting

No Power

Possible Causes

- 1 Perfect Sweep TURBO is not charged thoroughly.
- 2 Dirt Cup is not secure in the unit.

Remedies

- 1 Make sure Perfect Sweep TURBO has been properly plugged into an outlet for the recommended amount of time. See "Charging the Battery" on page 5.
- 2 Press down on the unit for a snug fit.

If suggested solutions for this or any function of the Perfect Sweep TURBO do not correct the problem, call BISSELL Consumer Services.

Replacement Parts

You may purchase replacement parts from your retailer, by calling BISSELL Consumer Services or by visiting our website. To locate a retailer near you, or to place an order using Visa, MasterCard, Discover or American Express, call

BISSELL Consumer Services

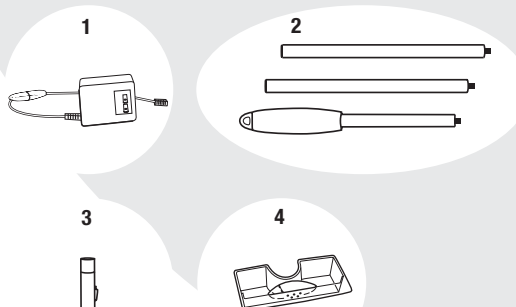
1-800-237-7691

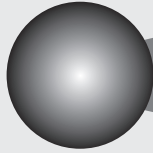
Monday - Friday 8 a.m. — 10 p.m. ET

Saturday 9 a.m. — 8 p.m. ET

Or visit our website @ www.bissell.com

Item	Part No.	Part Name
1	203-1257	DC Adapter
2	203-1322	Metal Extension Handle with Handle Grip
3	203-1254	Handle Clip
4	203-1323	Dirt Cup





Warranty

This warranty gives you specific legal rights, and you may also have other rights which may vary from state to state. If you need additional instruction regarding this warranty or have questions regarding what it may cover, please contact BISSELL Consumer Services by e-mail, telephone, or regular mail as described below.

Limited One Year Warranty

Subject to the *EXCEPTIONS AND EXCLUSIONS identified below, upon receipt of the product, BISSELL Homecare, Inc. will repair or replace (with new or remanufactured components or products), at BISSELL's option, free of charge from the date of purchase by the original purchaser, for one year any defective or malfunctioning part.

See information below on "If your BISSELL product should require service".

This warranty applies to product used for personal, and not commercial or rental service. This warranty does not apply to routine maintenance components such as belts or brushes. Damage or malfunction caused by negligence, abuse, or use not in accordance with the User's Guide is not covered.

If your BISSELL product should require service:

Call BISSELL Consumer Services at the number listed below or visit the BISSELL website - www.bissell.com to locate a BISSELL Authorized Service Center in your area.

-- The machine should be returned with a photocopy of your proof of purchase. (Your dated sales receipt is your warranty - do not send original.)

If you need information about repairs or replacement parts, or if you have questions about your warranty, contact BISSELL Consumer Services.

Website or E-mail:

www.bissell.com

Use the "Customer Service" tab.

Or Call:

BISSELL Consumer Services

1-800-237-7691

Monday - Friday 8 a.m. - 10 p.m. ET

Saturday 9 a.m. - 8 p.m. ET

Or Write:

BISSELL Homecare, Inc.

PO Box 3606

Grand Rapids, MI 49501

ATTN: Consumer Services

BISSELL HOMECARE INC. IS NOT LIABLE FOR INCIDENTAL OR CONSEQUENTIAL DAMAGES OF ANY NATURE ASSOCIATED WITH THE USE OF THIS PRODUCT. BISSELL'S LIABILITY WILL NOT EXCEED THE PURCHASE PRICE OF THE PRODUCT.

Some states do not allow the exclusion or limitation of incidental or consequential damages, so the above limitation or exclusion may not apply to you.

*EXCEPTIONS AND EXCLUSIONS FROM THE TERMS OF THE LIMITED WARRANTY

THIS WARRANTY IS EXCLUSIVE AND IN LIEU OF ANY OTHER WARRANTIES EITHER ORAL OR WRITTEN. ANY IMPLIED WARRANTIES WHICH MAY ARISE BY OPERATION OF LAW, INCLUDING THE IMPLIED WARRANTIES OF MERCHANTABILITY AND FITNESS FOR A PARTICULAR PURPOSE, ARE LIMITED TO THE ONE YEAR DURATION FROM THE DATE OF PURCHASE AS DESCRIBED ABOVE.

Some states do not allow limitations on how long an implied warranty lasts, so the above limitation may not apply to you.



©2005 BISSELL Homecare, Inc.
Grand Rapids, Michigan
All rights reserved. Printed in China
Part Number 603-1314
Rev 3/05

Visit our website at:
www.bissell.com