

HOOVER®

Flair™ Cleaner with Powered Nozzle

Owner's Manual

English → pp. 1-7

Español → pàg. 8-11

Français → p. 12-15

Thank you for selecting a HOOVER product.

This cleaner inspected and packaged carefully before being shipped from the factory. If you should happen to need assistance during assembly or operation,

Visit us online at www.hoover.com to find the service outlet nearest you (click on the "Service" button or

Call **1-800-944-9200** for an automated referral of authorized service outlet locations (U.S. only) or

Call 1-330-499-9499 to speak with a representative in our Consumer Response Center.

PLEASE DO NOT RETURN THIS PRODUCT TO THE STORE.



**Review this manual before
operating cleaner.**

Fill in and retain

The model and serial number are located in the middle of the back of the cleaner body.

For your personal records, please enter the COMPLETE model and serial number in the spaces provided and retain this information.

Your cleaner is model _____

and has serial number _____

It is suggested that you attach your sales receipt to this owner's manual. Verification of date of purchase may be required for warranty service of your Hoover product.

Index

Assembling Cleaner	3
Cleaner Descriptions	3
How To Use	4
ON-OFF Switch	4
Storage	4
If You Have a Problem	6
Service	6
Important Safeguards	2
Maintenance	4-5
Dirt Cup	4-5
Lubrication	5
Powered Nozzle	5
Final Filter	5
Warranty	6



Important Safeguards!

When using an electrical appliance, always follow basic precautions, including the following:

READ ALL INSTRUCTIONS BEFORE USING THIS APPLIANCE

Warning:

To reduce the risk of fire, electric shock, or injury:

- Do not use outdoors or on wet surfaces.
- Close supervision is necessary when any appliance is used by or near children.
- Do not allow vacuum cleaner to be used as a toy or to run unattended at any time.
- Keep hair, loose clothing, fingers, feet and all parts of body away from openings, rotating agitator and other moving parts.
- Do not pick up anything that is burning or smoking, such as cigarettes, matches, or hot ashes.
- Do not use to pick up flammable or combustible materials such as gasoline or fine wood sandings or use in areas where they may be present.
- Avoid picking up hard, sharp objects with the cleaner. They may damage the cleaner and the filter.
- Do not use without dirt cup or filters in place. When picking up very fine materials such as powder, empty dirt cup often.
- Use extra care when cleaning on stairs.
- Do not put any object into openings. Do not use with any opening blocked; keep free of dust, lint, hair, or anything that may reduce air flow.
- Do not pull or carry by cord, use cord as a handle, close door on cord or pull cord around sharp edges or corners. Do not run appliance over cord. Keep cord away from heated surfaces.
- Always disconnect cord from electrical outlet before servicing the cleaner.
- Unplug cleaner when not in use. Turn off all controls before unplugging.
- Do not unplug by pulling on cord. To unplug, grasp the plug, not the cord. Never handle plug or appliance with wet hands.
- The use of an extension cord is not recommended.
- Do not use with damaged cord or plug. If appliance is not working as it should, has been dropped, damaged, left outdoors, or dropped into water, take it to a Hoover Factory Service Center or Authorized Hoover Warranty Service Dealer (Depot).
- Use vacuum cleaner only for its intended use as described in the instructions.

Save these instructions!

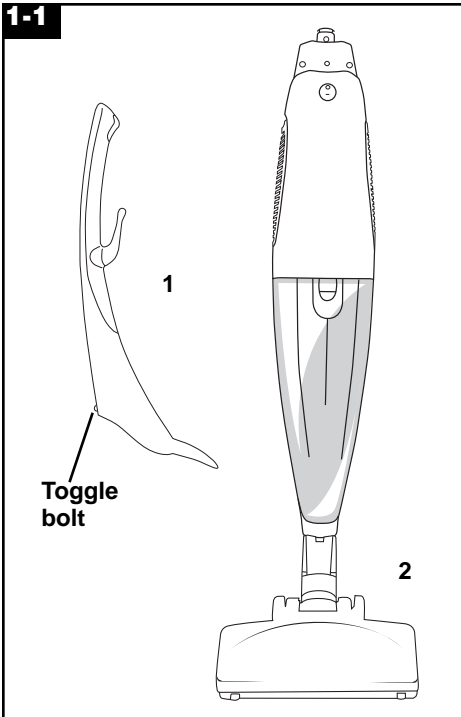
1. Assembling cleaner

Questions or Concerns?

The Hoover Company wants to quickly resolve any concerns about your cleaner or questions regarding its use. Look on the list provided with the product for your local **Hoover Factory Service Center** or in the Yellow Pages under "Vacuum Cleaners - Household" for the nearest **Authorized Hoover Warranty Service Dealer** (Depot) or call:

1-800-944-9200 for an automated referral of authorized service outlet locations (U.S. only) OR
1-330-499-9499 to speak with a representative in the Hoover Consumer Response Center OR
Visit us online at **www.hoover.com** to find the service outlet nearest you (click on the "Service" button)

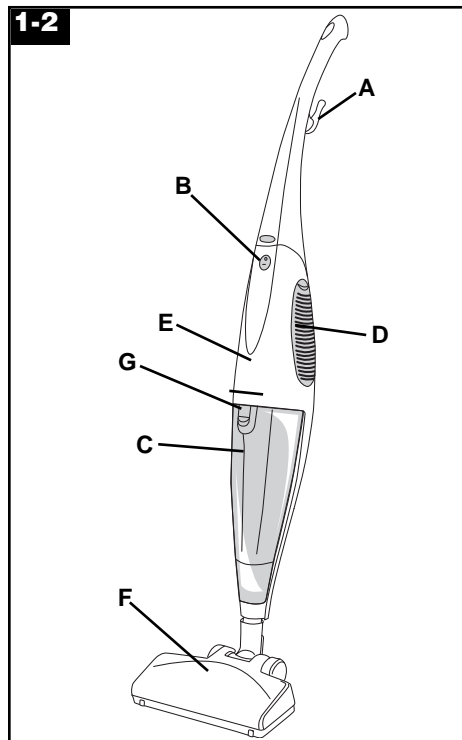
Carton contents



Unpack cleaner from carton, remove all cardboard and identify parts shown.

1. Handle Section (with toggle bolt)
2. Cleaner body and Powered nozzle

Cleaner description

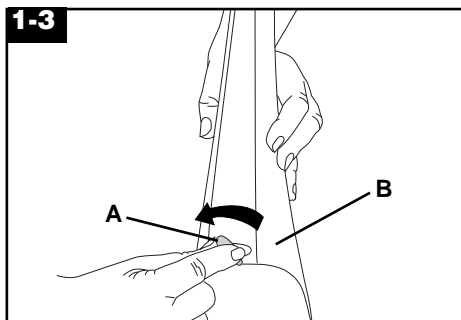


The assembled cleaner will look like the drawing.

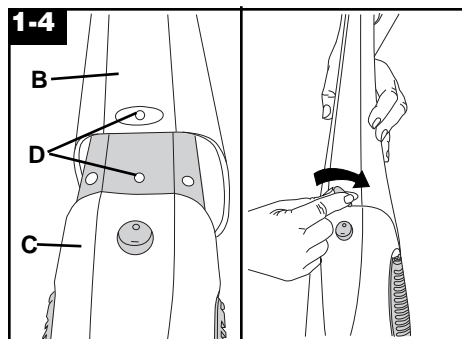
- A. Cord hook (hook swivels for quick cord release)
- B. ON-OFF switch
- C. Dirt cup
- D. Removable final filter grill
- E. Cleaner body
- F. Powered nozzle
- G. Dirt cup latch

This cleaner is intended for household use.

Attach handle



Remove the toggle bolt (A) from the handle section (B) by turning in a counter-clockwise direction.



Push handle section (B) onto cleaner body (C), with holes (D) aligned.

Insert toggle bolt through both holes and tighten by turning clockwise.

Continued →

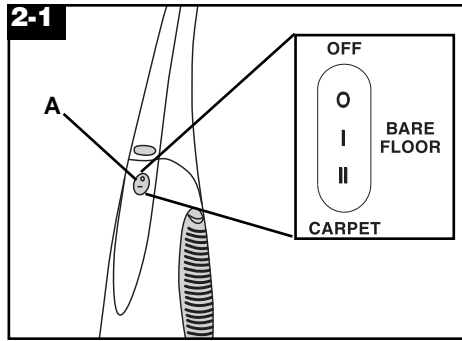
2. How to use

Operate cleaner only at voltage specified on data plate located on back of cleaner motor housing.

Polarized plug

To reduce the risk of electric shock, this product has a polarized plug (one blade is wider than the other). This plug will fit in a polarized outlet only one way. If the plug does not fit in the outlet, reverse the plug. If it still does not fit, contact a qualified electrician to install the proper outlet. Do not change the plug in any way.

Plug cord into electrical outlet. Your cleaner is now ready to operate.

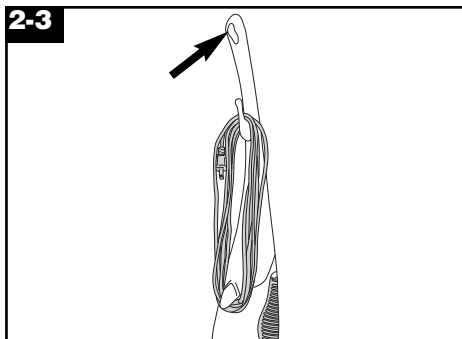
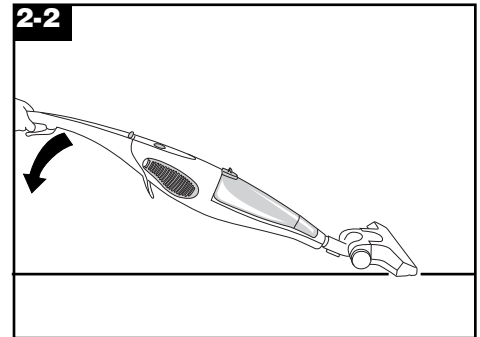


ON-OFF switch

The ON-OFF switch (A) is located on the cleaner body. Turn the cleaner **ON** by pressing the switch to **I** for **BARE FLOOR** or to **II** for **CARPET**. Turn the cleaner **OFF** by pressing the switch to **O**.

Cleaning under low furniture

Your cleaner has been designed to do an effective job cleaning under low furniture and in hard to reach areas. Lower handle to floor level and proceed with back and forth motion.



Storing cleaner

When cleaner is not in use, wrap cord around cord hooks as shown. Upper hook rotates for quick release.

For your convenience, cleaner may be hung on a hook from opening at top of handle. Cleaner can also stand in the upright position.

3. Maintenance

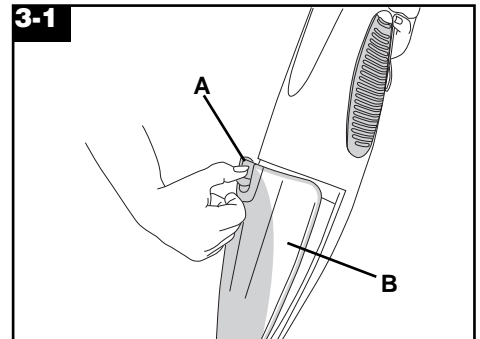
Familiarize yourself with these home maintenance tasks as proper use and care of your cleaner will ensure continued cleaning effectiveness.

Dirt cup

The dirt and debris picked up by the cleaner is deposited into the dirt cup. **It is recommended that the dirt cup be emptied after each use.**

Very fine materials, such as face powder, cornstarch and fireplace ashes, picked up in large quantities can cause a loss of suction. When using the cleaner for this type of dust, empty cup often.

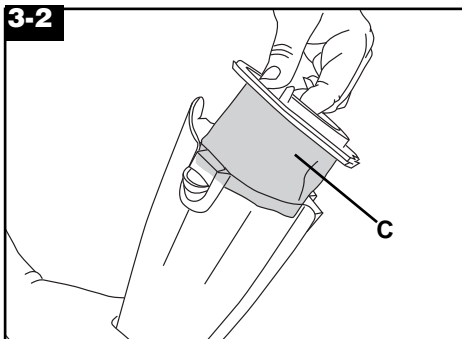
When empty, the cup can be cleaned with a damp cloth or rinsed with water. Be sure cup is dry before reusing.



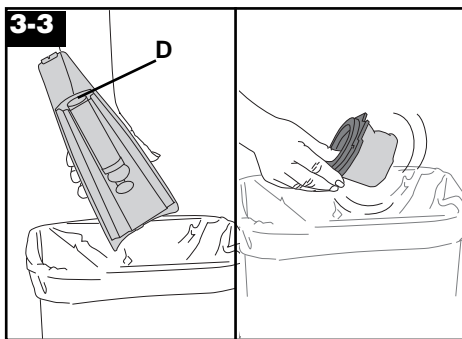
How to empty dirt cup

Disconnect cleaner from electrical outlet.

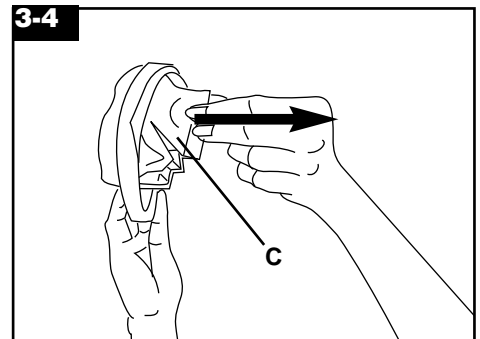
Press dirt cup latch (A) down and pull cup (B) out.



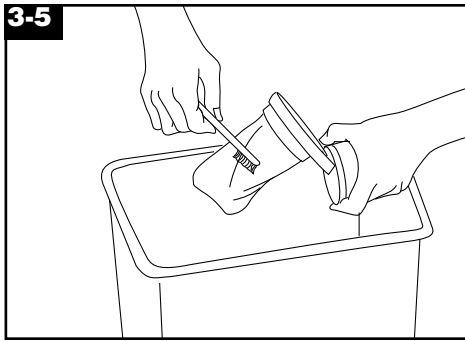
Hold cup over trash can. Remove filter (C) from top of cup.



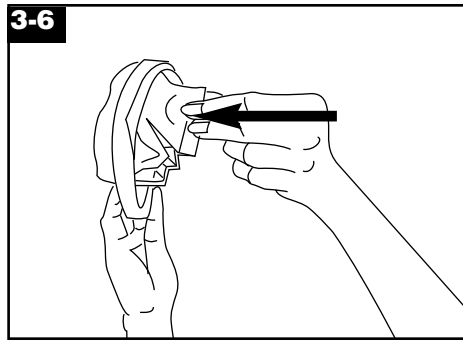
Empty cup, making sure to hold cup with dirt port (D) facing up. Shake dust from filter.



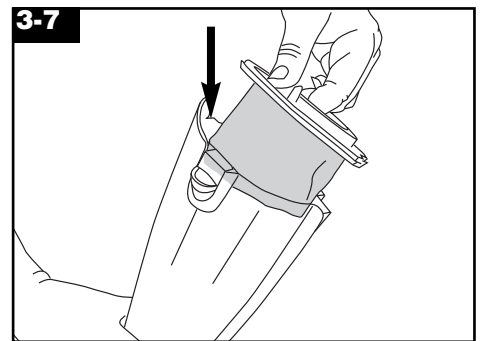
Pull filter (C) inside out through filter frame.



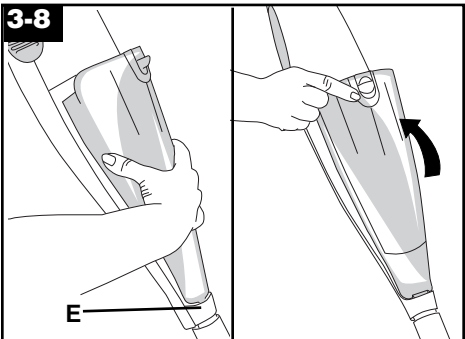
Brush the surface of filter to remove any clinging litter. (Filter may be washed in warm water. It must be **completely dry** before replacing in cleaner. **Do not use cleaner without filter in place.**)



Push filter back through frame.

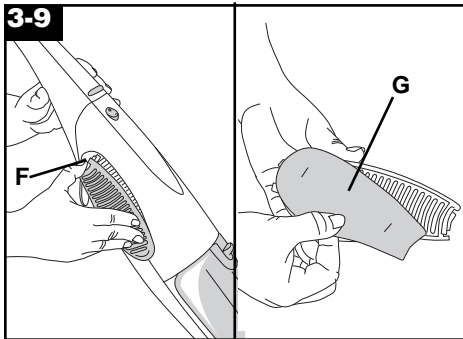


Place filter **on top** of cup as shown and push firmly into cup.



Place bottom of cup (E) first, then pivot cup into position. Press top of cup to snap it into place.

NOTE: Filter must be in place for cup to latch.



Final filter

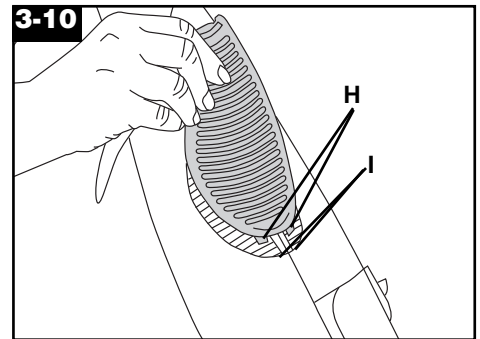
How to replace

The final filter assists in returning clean air to the room. The filter is located on the side of the cleaner body.

When it becomes dirty, it must be replaced. Replace with part no. 59136-022.

Disconnect cleaner from electrical outlet.

To replace, press down on grill tab (F) and remove grill. Remove the felt filter (G) and replace with a new one.



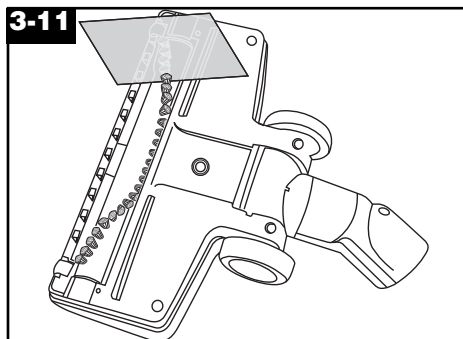
To replace the filter grill, insert tabs (H) at the bottom of the grill into slots (I) in the cleaner body. Press on grill to snap it into position.

Powered nozzle

How to clean

Disconnect cleaner from electrical outlet.

To maintain cleaning effectiveness, periodically remove lint, strings, etc. from the brush roll from the bottom of the nozzle.



When to replace

Replace the brush roll when the brushes do not touch the edge of a card as it is moved across the opening on the bottom of the nozzle.

A new brush roll can be installed by your local authorized Hoover Dealer (Depot) or Hoover Factory Service Center.

Belt

The long-lasting belt may never need to be replaced. However, if the belt should break, it can be replaced by contacting your local Authorized Hoover Dealer (Depot) or Hoover Factory Service Center.

Lubrication

The motor is equipped with two bearings. These bearings contain sufficient lubrication for the life of the motor. Therefore, **do not add lubricant to either motor bearing.**

Continued →

4. If you have a problem

If a minor problem occurs, it usually can be solved quite easily when the cause is found by using the check list below.

Problem: Cleaner won't run

Possible cause

Possible solution

- **Not firmly plugged in.**
- *Plug unit in firmly.*
- **No voltage in wall receptacle.**
- *Check fuse or breaker.*
- **Blown fuse/tripped breaker.**
- *Replace fuse/reset breaker.*

Problem: Cleaner suction low

Possible cause

Possible solution

- **Dirt cup full.**
- *Empty dirt cup.*
- **Filter clogged.**
- *Empty dirt cup and clean filter.*
- **Nozzle clogged.**
- *Remove obstruction.*

Problem: Cleaner is difficult to push on carpet

Possible cause

Possible solution

- **Floor surface set to "BARE FLOOR".**
- *Turn powered nozzle on by pressing switch to **II** for CARPET.*

Service

To obtain approved HOOVER service and genuine HOOVER parts, locate the nearest **Hoover Factory Service Center or Authorized Hoover Warranty Service Dealer (Depot)** by:

- checking the Yellow Pages under "Vacuum Cleaners - Household" OR -
- checking the list of Factory Service Centers provided with this cleaner OR -
- checking the Service section of The Hoover Company on-line at **www.hoover.com** OR -
- calling **1-800-944-9200** for an automated referral of authorized service outlet locations (U.S. only).

Do not send your cleaner to The Hoover Company in North Canton for service, this will only result in delay.

If further assistance is needed, contact The Hoover Company Consumer Response Center, North Canton, Ohio 44720 Phone: 1-330-499-9499.

In Canada, contact Hoover Canada, Burlington, Ontario L7R 4A8, Phone: 1-800-263-6376.

Always identify your cleaner by the **complete** model number when requesting information or ordering parts. (The model number appears in the middle of the back of the cleaner body.)

Full One Year Warranty (Domestic Use)

Your HOOVER® appliance is warranted in normal household use, in accordance with the Owner's Manual against original defects in material and workmanship for a period of one full year from date of purchase. This warranty provides, at no cost to you, all labor and parts to place this appliance in correct operating condition during the warranted period. This warranty applies when the appliance is purchased in the United States including its territories and possessions, or in Canada or from a U. S. Military Exchange. Appliances purchased elsewhere are covered by a limited one year warranty which covers the cost of parts only. This warranty does not apply if the appliance is used in a commercial or rental application.

Warranty service can only be obtained by presenting the appliance to one of the following authorized warranty service outlets. Proof of purchase will be required before service is rendered.

1. Hoover Factory Service Centers.
2. Hoover Authorized Warranty Service Dealers (Depots).

For an automated referral of authorized service outlets in the U.S.A., phone 1-800-944-9200 OR

Visit The Hoover Company on-line at www.hoover.com

This warranty does not cover pick up, delivery, or house calls; however, if you mail your appliance to a Hoover Factory Service Center for warranty service, transportation will be paid one way.

While this warranty gives you specific legal rights, you may also have other rights which vary from state to state.

If further assistance is needed, or if there are questions concerning this warranty or the availability of warranty service outlets, write or phone the Consumer Response Center, The Hoover Company, 101 East Maple St., North Canton, Ohio 44720. Phone 1-330-499-9499.

In Canada, contact Hoover Canada, Burlington, Ontario L7R 4A8, 1-800-263-6376.

