



SEBO AIRBELT C

MADE IN GERMANY

OWNER'S MANUAL

For Household Use Only



TABLE OF CONTENTS

Technical Details	2
Important Safety Instructions	3
Special SEBO Product Features	4
S-Class Filtration	4
AIRBELT Shock Absorber	4
Bag Full or Clog Warning – Auto Shut-Off	4
Identification of Parts	5
Assembly	5
Optional Attachments	5
Standard Attachments	5
Operating Instructions	6
Starting the Machine	6
Suction Control	6
Operating the Machine	6
Additional Operating Instructions for C3.1 with Power Head	7
Starting the Machine and Suction Control	7
Operating the Machine	7
Using the Telescopic Tube, Hose & Attachments	8
Use and Maintenance of Brushes and Heads	8
The Parquet Brush	8
The Kombi Nozzle	8
The Turbo Head	8
Vacuum Maintenance	9
Changing the Filter Bag	9
Changing the Micro-Hygiene Filter	9
Changing the Exhaust Filter	9
Changing the AIRBELT	9
Clog Removal	10
Clogs in the Head or Brush	10
Clogs in the Telescopic Tube	10
Clogs in the Hose	10
Clogs in Entrance to Filter Bag	10
Trouble-Shooting Guide	11
AIRBELT C2.1 Schematic and Part Numbers	12
AIRBELT C3.1 Schematic and Part Numbers	13
Warranty	14
How To Contact SEBO	14

TECHNICAL DETAILS

Vacuum motor	1250 watts (10.6 amps)
Water lift (at motor)	90 inches
Airflow (at motor)	170 CFM
Filter bag capacity	5.3 liter
Sound level	63 dBA
Body weight	16 lbs
Motor protection	thermal cut-out
Cord length	22 feet
Range	36 feet

Technical details may be subject to change.

IMPORTANT SAFETY INSTRUCTIONS



READ ALL INSTRUCTIONS BEFORE USING THIS MACHINE

When using an electrical appliance, basic precautions must always be followed.

To reduce the risk of electric shock, this vacuum cleaner has a polarized plug; one blade is wider than the other. This plug will fit in a polarized outlet only one way. If the plug does not fit fully in the outlet, reverse the plug. If it still does not fit, contact a qualified electrician to install the proper outlet. Do not change the plug in any way. Connect only to the outlet type specified on the serial number plate underneath the machine.

SAVE THESE INSTRUCTIONS.

WARNING: To reduce the risk of fire, electric shock, or injury:

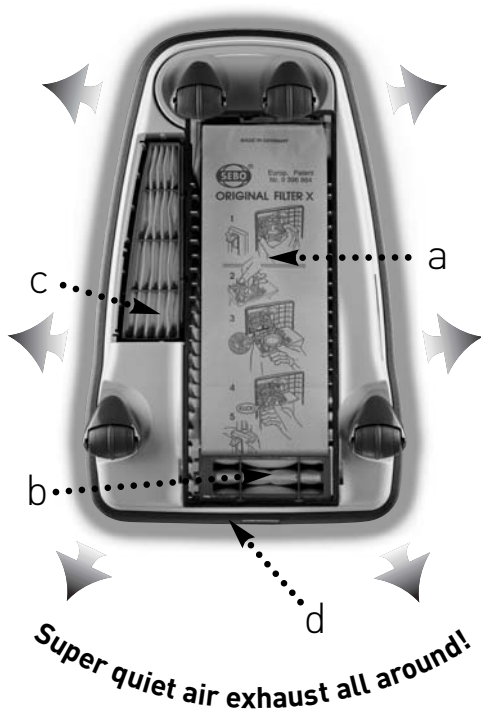
1. Do not leave vacuum while plugged in. Unplug from outlet when not in use and before servicing.
2. Do not use outdoors or on wet surfaces.
3. Do not use near small children or pets. Do not allow to be used as a toy. Use of this product by children should always be supervised by an adult.
4. Use only as described in this manual. Use only manufacturer-recommended attachments.
5. Do not use with a damaged cord or plug. If vacuum is not working as it should, has been dropped, damaged, left outdoors, or dropped into water, take it to a SEBO service center.
6. Do not pull or carry by cord, use cord as a handle, close a door on cord, or pull cord around sharp edges or corners. Do not run vacuum over cord. Keep cord away from heated surfaces.
7. Do not unplug by pulling on cord. To unplug, grasp the plug – not the cord.
8. Do not plug in if switch is in the “I” (ON) position.
9. Do not use outlets above counters to plug in vacuum – damage to items in the surrounding area could occur.
10. Always carry the vacuum over steps and sills.
11. Do not handle plug or vacuum handle with wet hands.
12. Do not put any object into vacuum openings. Do not use machine with any openings blocked. Keep openings free of lint, hair, and anything that may reduce air flow.
13. Do not re-use filter bags or wash the filters.
14. Do not remove any screws from vacuum.
15. Do not vacuum up anything that is burning or smoking, such as cigarettes, matches, or hot ashes.
16. Do not use vacuum without filter bag and/or filters in place.
17. Turn off all machine controls before unplugging.
18. Use extra care when cleaning on stairs.
19. Do not use machine to vacuum up flammable or combustible liquids such as gasoline or use in areas where they may be present.
20. Machines can cause a fire when operated near flammable vapors or materials. Do not operate this vacuum near flammable fluids, dust or vapors.
21. Maintenance and repairs must be done by qualified personnel.
22. Use only original SEBO replacement parts.
23. Do not use vacuum as a step.
24. If vacuum is used on plush carpet or carpet with thick padding, do not leave machine standing in one place with machine turned on.
25. While the vacuum is in use, the power cord should be unwound from the cable reel at least two thirds of its length. Hold plug when rewinding onto the cord reel. Do not allow plug to whip while rewinding.
26. Keep hair, loose clothing, fingers, and all parts of body away from vacuum openings and moving parts. Do not place fingers or other body parts under vacuum unless it is unplugged.
27. Do not place the power head over rug or carpet edges.
28. The vacuum has a manual reset thermal protector. The protector is reset by switching off the vacuum. The thermal protector needs some time to cool down after switching off! Check the vacuum for air blockages or mechanical failures before switching on.
29. Store the vacuum in a dry place at room temperature. When the vacuum is not in use, you should rewind the cord onto the cord reel.
30. Any other servicing should be performed by an authorized service representative.
31. The hose contains electrical wires. Do not use if damaged, cut, or punctured. Avoid picking up sharp objects.
32. Always unplug vacuum before connecting or disconnecting either hose or power head.
33. Use a SEBO power head only in combination with a SEBO vacuum cleaner.
34. Do not connect power head to a malfunctioning or damaged vacuum.

SPECIAL SEBO PRODUCT FEATURES

Your SEBO AIRBELT C canister vacuum is among the most technically advanced vacuum cleaners in the world. Some of its unique features are:

- **S-Class Filtration.** Certified by leading Allergy foundations in Europe, the AIRBELT C vacuum provides the user with S-Class filtration of 99.9% of particles to 0.3 microns. This is accomplished by the SEBO three-step filtration system. First, the three-layer full-size filter bag (a) collects the vast majority of the debris. Then, the remainder of the particles are collected by the hospital-grade microfilter (b). Finally, the micro-exhaust filter (c) cleans the exhaust air that the vacuum emits. The AIRBELT disperses the filtered exhaust air around the canister which provides quiet, gentle air flow. SEBO's unwavering attention to the complete sealing of the machine ensures no dirt escapes around the microfilters. If the microfilters are changed regularly (every 10-20 bags), the AIRBELT C is perfect for allergy or asthma sufferers.
- **AIRBELT Shock Absorber.** Your SEBO canister vacuum has a unique soft bumper (d) which protects your furniture, walls and vacuum from damage. The AIRBELT disperses the filtered exhaust air around the canister which provides quiet, gentle air flow. Personalize your canister with a replacement AIRBELT textile cover available in a variety of patterns and colors (part # 6047 AM/01 to 10). See your SEBO Dealer.
- **Bag Full or Clog Warning Light – Auto Shut-Off.** If the vacuum's airflow pathway becomes restricted due to a full bag or the existence of a clog, the amber "BAG FULL OR CLOG" light (located on top of the canister near the hose connection) will illuminate. If the user ignores this warning, the suction motor will heat up due to the lack of cooling provided by the airflow. Once the motor reaches a certain temperature it will shut off to protect itself from damage. The user should turn the switch off, unplug the machine and immediately insert a new bag or remove the clog (to remove a clog, refer to the Clog Removal section on page 10). After approximately 30 minutes, the motor will have cooled and the vacuum can be restarted. If the airflow is still restricted, the "BAG FULL OR CLOG" light will again illuminate and the machine will shut off.

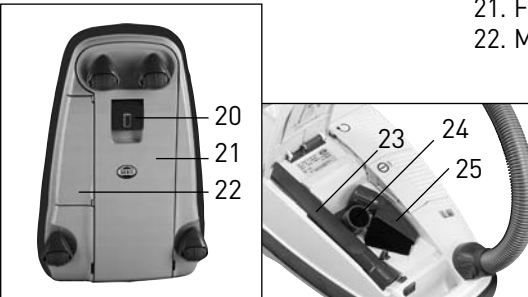
SEBO three-step filtration system



Bag full or clog warning light

IDENTIFICATION OF PARTS

1. Handle grip
2. Power control slider (C3.1 only)
3. Handle release button
4. Telescopic tube
5. Slide button
6. Hose neck
7. Suction opening
8. Parking holder, side
9. Tool release button
10. Hose
11. AIRBELT shock absorber
12. Carrying handle
13. Warning lights
14. On/Off pedal
15. Attachment housing door
16. Cable rewind button
17. Power cable
18. Parking holder, rear
19. Mains Cable (C3.1 only)
20. Filter bag cover release flap
21. Filter bag cover
22. Micro-exhaust filter housing

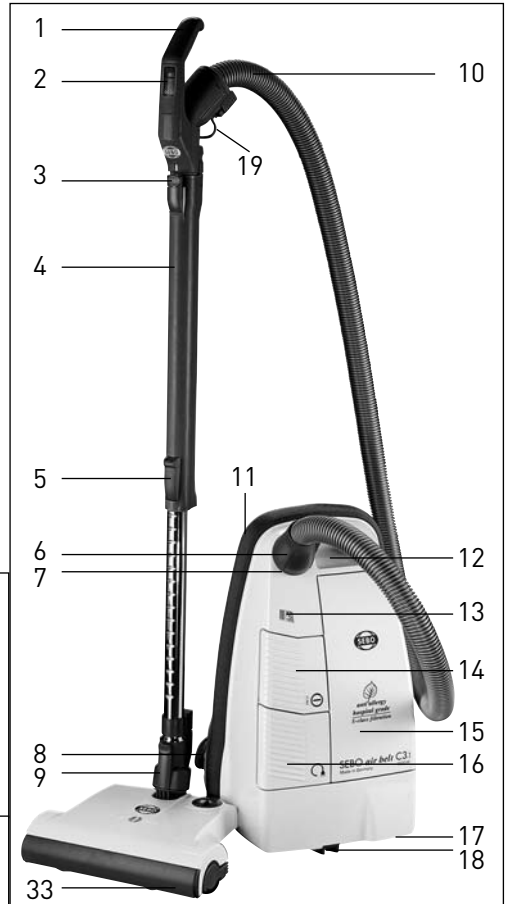
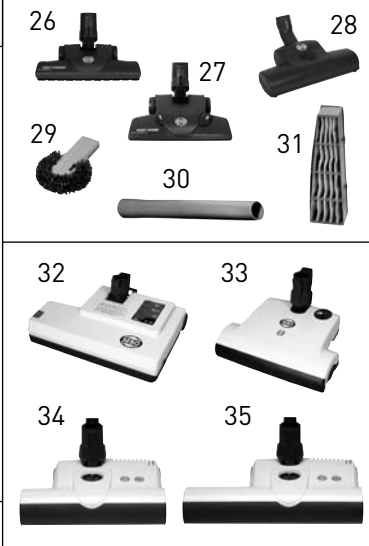


Standard Attachments

23. Crevice nozzle
24. Upholstery nozzle
25. Dusting brush

Brushes, Heads, Optional Attachments

26. Premium Parquet brush - standard for the C2.1 and C3.1 - Part # 7200 DG
27. Kombi nozzle - optional for the C2.1 and C3.1 - Part # 7260 DG
28. Turbo head - standard for the C2.1. Optional for the C3.1 - Part # 6780 ER
29. Radiator brush - Part # 1496 HG
30. Straight tube (20 in.) - Part # 1084 HG
31. Charcoal Filter for odor control - Part # 6108 AM



Power Heads - optional for the C3.1

32. ET-C Power head, White, Part # 9254 AM
33. ET-H Power head, White, Part # 9256 AM
ET-H Power head, Red, Part # 9257 AM
34. ET-1 Power head, White, Part # 9258 AM
ET-1 Power head, Red, Part # 9299 AM
35. ET-2 Power head, White, Part # 9259 AM

ASSEMBLY

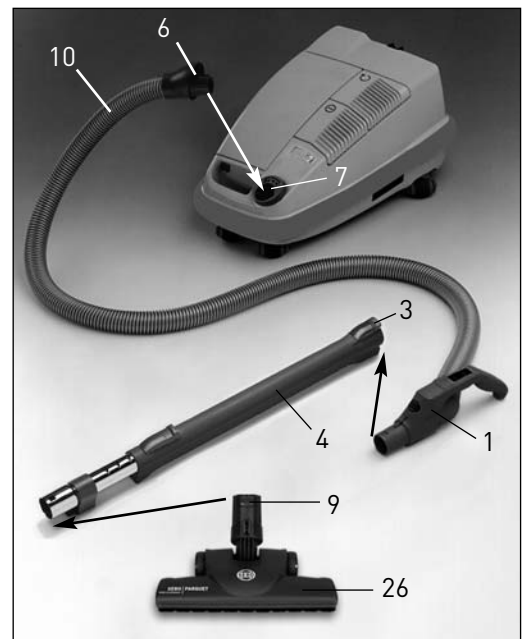
Push the neck (6) of the hose (10) into the suction opening of the canister (7). The notch in the suction opening will line up with the raised bar on the neck. When the notches are lined up correctly, the neck will snap firmly into place. To release the hose from the suction opening, press the release tab on the neck of the hose, and pull the neck out.

Attach the short mains cable (19 - C3.1 only) on the underside of the handle by connecting one cable plug where the hose connects to the handle and the other where the handle connects to the telescopic tube.

Connect the handle (1) to the top of the telescopic tube (4). Snap in place. To release the telescopic tube (4) from the handle, push the handle release button (3) and slide the handle out.

Attach the head or brush to the bottom of the telescopic tube (4). Insert the bottom of the telescopic tube into the neck of the head or brush (26) until it locks into place; or line up the square hole in the telescopic tube with the notches in the front of the neck, and snap firmly into place. To release a head or brush from the telescopic tube (4), push the release button (9), and pull the head or brush tool off the end of the telescopic tool. The release button (9) is in the same position on all of the heads, brushes and power heads.

NOTE: To attach a SEBO power head (ET-H, ET-C, ET-1 or ET-2) to your C3.1 canister, please refer to your power head owner's manual (page 5) for instructions. Attaching incorrectly could cause damage.



NOTE: All illustrations shown in this manual represent the C3.1 model except where part numbers and instructions are different for each model.

OPERATING INSTRUCTIONS ALL C-SERIES VACUUMS

Starting The Machine - Figures 1 & 2

Before turning on your canister, make sure that you have a firm hold on the handle grip to keep the machine from moving forward (figure 1).

1. With the canister main power switch (14) in the OFF position, pull the power cord out from the base of the canister. The power cord (17) should be unwound from the cable reel at least two thirds of its length. **Note:** do not over-extend the cord. The cable rewind is operated by pressing the rewind button (16). Before rewinding the cable, always switch off and unplug the vacuum.
2. Plug the polarized power cord into a 120 volt wall outlet located near the floor.
3. Press the main power switch on the base of the canister (14) gently with your foot or hand. The green light (13) will illuminate indicating that the power is on (C3.1 model only).



Figure 1

Suction Control - Figure 2

C2.1 users: the suction control dial is located on the top side of the canister on the power switch (14). When the dial shows all yellow, the machine is operating at full suction. Rotate the dial toward the black to reduce suction for vacuuming curtains or delicate fabrics.

C3.1 users: for information on suction control, refer to page 7 of this manual.

Suction Control dial on the C2.1 canisters



Figure 2

Operating the Machine - Figure 3

Adjust the telescopic tube (4) to the correct height by pushing the slide button (5) and gently pulling the tube out to lengthen, or pushing it in to shorten. Release the slide button (5) to lock the tube to the adjusted height.

When changing heads, always switch the vacuum off with the main power switch (15), and then unplug the power cord.

The "bag full or clog" light (#13, figure 1) works correctly only at full power. At lower power levels, the "bag full or clog" light may illuminate incorrectly. Check the status of the filter bag regularly at full power. If the light remains illuminated at full power, and the filter bag is not full, check for clogs (see page 10).

To rewind power cord, switch the vacuum off with the main power switch (14), unplug the machine, then press the rewind button (16). Hold the plug while rewinding the cord onto the cord reel. Avoid letting the plug whip while rewinding.



WARNING!

The quality, condition, coating, texture, age and manufacturing technique of all floor surfaces vary. Therefore, vacuums with rotating brushes, including your SEBO, may damage some floor coverings or surfaces. Some types of high-gloss hardwood floors, cushion vinyl, berber carpets, long shag, and delicate or hand-woven carpets are particularly vulnerable to damage by rotating brushes. When possible, consult the materials supplied by your flooring manufacturer for information on proper upkeep and cleaning. **To ensure that your new SEBO vacuum cleaner is compatible with your floor, please test the vacuum cleaner on each type of flooring surface in a small inconspicuous area to determine if any damage occurs. If damage occurs, stop using the vacuum cleaner immediately!**

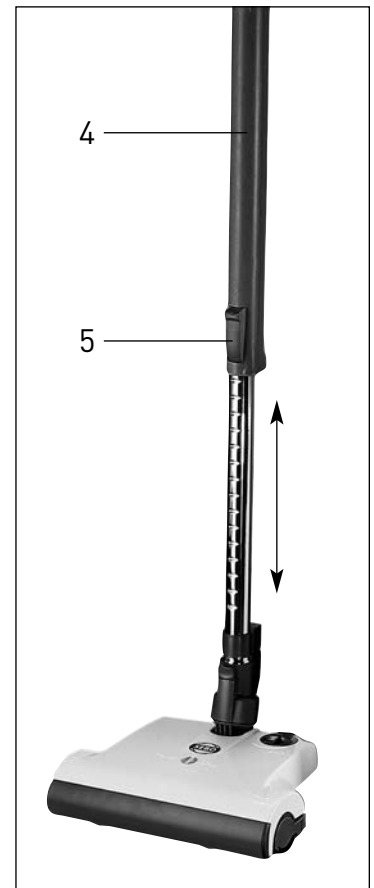


Figure 3

ADDITIONAL OPERATING INSTRUCTIONS FOR C-3.1 WITH POWER HEAD

Please refer to your power head owner's manual for more information

Starting The Machine and Suction Control - Figures 4, 5 & 6a

A. Before turning on your canister, make sure that the vacuum handle is in its upright locked position (figure 4).

1. With the canister main power switch in the OFF position, and the power control slider on the handle (#2, figure 5) in the OFF position, pull the power cord out from the base of the canister. The power cord should be unwound from the cable reel at least two thirds of its length. The cable rewind is operated by pressing the rewind pedal (16). Before rewinding the cable, always switch off and unplug the vacuum.
2. Plug the polarized power cord into a 120 volt wall outlet located near the floor.
3. Press the main power switch on the base of the canister gently with your foot or hand. The green light (13) will illuminate indicating that the power is on.
4. Slide the Power Control Slider (#2, figure 5) to the ON position (the slider will "click" when it is pushed out of the OFF position). It will then slide freely between 0 suction and MAX suction. Set the slider to the suction desired. Release the foot pedal (ET-1, ET-2, ET-C) on power head (#36, figure 6a) or, for the ET-H, lower the handle (figure 6b).

Operating The Machine - Figures 6a & 6b

B. When the power head is on with the handle in the upright locked position (see figure 4 above), the brush roller will not spin.

To release the ET-C, ET-1 or ET-2 power head from the upright locked position, press down on the foot pedal (#36, figure 6a) and lower the handle into the normal operating position. The brush roller will then start spinning and the green light on the power head will illuminate.

To release the ET-H power head from the upright locked position, gently place your foot on the power head for leverage and lower the handle into the operating position (figure 6b). The brush roller will then start spinning. The amber indicator light may flicker for a few seconds when you lower the handle - this is normal.

The handle can be lowered to a horizontal position useful for vacuuming under beds.

You may adjust the suction control with the power control slider (#2, figure 5) as you vacuum different surfaces or when using the accessory tools. For optimal cleaning and brushing, operate the machine at the maximum suction power setting and push the power head slowly over the carpet.

When the canister's main power switch is in the ON position, you may turn the power head off and on with the power control slider (#2, figure 5). To turn the power head off using the power control slider, pull the slider to 0 suction, then continue pulling the slider up until it "clicks" into the OFF position. The green power head light will then shut off (the green light on the canister (10) will remain illuminated until the vacuum is powered off using the main power control knob).

Always turn the power off on both the canister and the power head when changing heads or unplugging the vacuum. Slide the power control slider on the power head to its OFF position, press the main power switch on the base of the canister gently with your foot or hand, then unplug the canister to completely shut down the power when changing heads or storing the vacuum. Hold the plug while rewinding the cord onto the cord reel. Avoid letting the plug whip while rewinding.

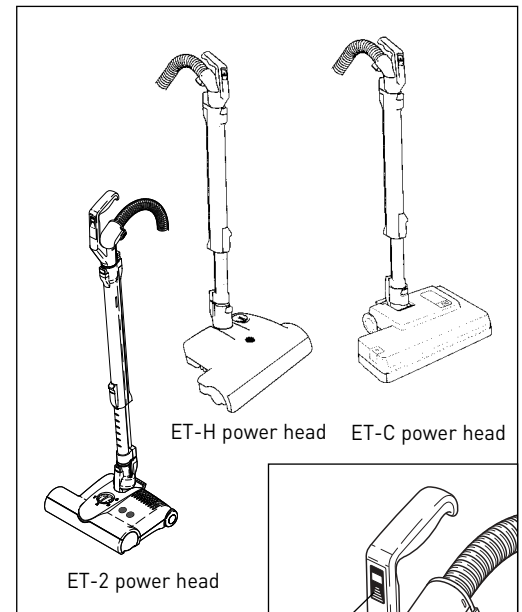


Figure 4

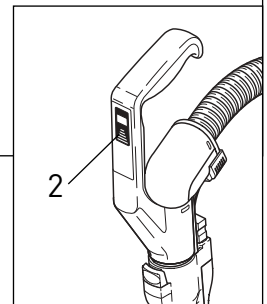


Figure 5

Switch Position - #2, Figure 5

0 = Zero Suction
MAX = Maximum Suction

ON position - Slide the slider down toward 0 suction till it "clicks" out of position.

OFF position - Pull the slider up to 0 suction then continue pulling the slider up until it "clicks" into the OFF position.

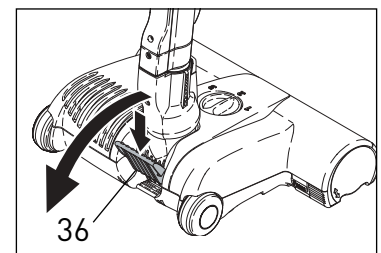


Figure 6a

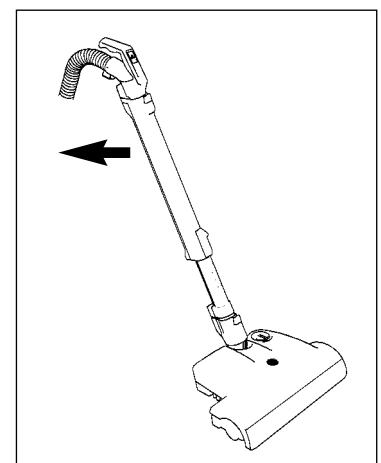


Figure 6b

Using the Telescopic Tube, Hose & Attachments - Figures 7 & 8

The telescopic tube (4) is useful for vacuuming corners and hard-to-reach areas. You may use the telescopic tube without a brush, power head or attachment. To remove a brush or power head, switch off the power and unplug the vacuum. Then, press the tool release button (9) and pull the tube out. The standard attachments [the crevice nozzle (23), upholstery nozzle (24) and dusting brush (25)] may be inserted onto the end of the tube. It is not necessary to turn off the vacuum while switching the **standard** attachments (the crevice nozzle, upholstery nozzle or dusting brush). After use, switch off the power, unplug the vacuum and remove attachment. Re-insert the attachment tube into the power head or brush, turning the tube if needed, until you hear it click into place.

NOTE! C3.1 users with ET-C, ET-H, ET-1 or ET-2 power heads, please refer to your power head user's manual for more detailed instructions for connecting your power head.

To use the hose without the telescopic tube, switch off the power and unplug the vacuum. Push the handle release button (3) and pull the HANDLE out of the end of the telescopic tube. Do not try to separate the hose from the handle! Insert an attachment tool, if desired, onto the end of the handle. After use, switch off the power, unplug the vacuum, remove attachment. Re-insert the handle into the telescopic tube making sure it is seated correctly and snap it into place.



Figure 7

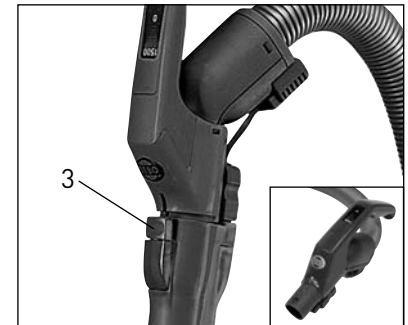


Figure 8

USE AND MAINTENANCE OF BRUSHES AND HEADS



Always unplug vacuum from outlet before dismantling any part of machine!

To remove a brush or power head, switch off the power and unplug the vacuum. Then, press the tool release button (9) and pull the tube out.

NOTE! C3.1 users with ET-C, ET-H, ET-1 or ET-2 power heads, please refer to your power head user's manual for more detailed instructions for operating and maintaining your power head.

Premium Parquet nozzle - Figure 9

The parquet nozzle is specially designed for use on hard surfaces. The brush should be cleaned regularly. Remove the parquet brush from the telescopic tube to clean. Fibers and hair can be pulled out of the bristles manually, or vacuum the bristles with with the telescopic tube. The brush strips are removable for cleaning and replacement.

Kombi nozzle - Figure 10

The Kombi nozzle is adjustable for carpet or hard floors. To set for carpet, slide the up arrow button (37) to the right until it clicks into place. The hard floor dusting brush will raise up allowing the head to move over the carpet. To set for hard floors, slide the down arrow button (38) to the left until it clicks into place. The brush will lower to gently sweep your floors. **The slider in Figure 10 is set in the position for carpet.** The brush should be cleaned regularly. Remove the Kombi nozzle from the telescopic tube to clean. Fibers and hair can be pulled out of the bristles manually, or vacuum the bristles with with the telescopic tube. The brush strip is removable for cleaning and replacement.

Turbo head - Figure 11

The Turbo head has an air-driven rotating brush for gentle brushing of carpets. The Turbo head can be adjusted for high and low pile carpet. To adjust the head for high pile carpet, push the slider button (39) to the right. For low pile carpet, push the slider button (39) to the left. **The slider in Figure 11 is set in the high pile position.** The rotating brush should be cleaned regularly. Remove the Turbo head from the telescopic tube to clean. Remove fibers and hair from the brush manually.



Figure 9



Figure 10



Figure 11

VACUUM MAINTENANCE



Always unplug vacuum from outlet before dismantling any part of machine!

Changing the Filter Bag - Figures 12 & 13

To change the filter bag, set the canister upright (as shown in figure 13), pull the cover release flap outward (20) and lift the cover (21) from the filter bag housing. **The cover release flap must remain in an outward "pulled-out" position to change filter bags and lock them into place.** Squeeze the clamps (42) on both sides of the filter bag sealing plate (41), slide the plate from the holder (40) and push the filter bag cap on to seal the bag. Slide the sealing plate (41) of a new bag into the holder and push it in firmly until it locks into place. Re-insert cover (21) into filter bag housing, push it forward, then lock it in place by pushing down the cover release flap (20). You may find it convenient to store the bag cap inside the filter bag housing below the filter bag. Do not re-use the filter bags. Note: the nature of the contents of the filter bag will affect the point at which it needs changing. Fine dust may require an earlier change even though the bag is not full. Fluff or hair allows air to pass through easily, so the filter bag may overfill before the amber "bag full" light illuminates.

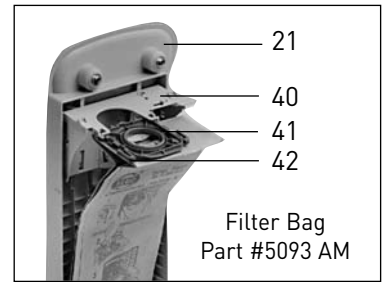


Figure 12



Figure 13

Changing the Exhaust Filter - Figures 13 & 14

The exhaust filter (43) needs to be changed when it becomes extremely dirty or clogged with dust, or after approximately 10 to 20 filter bags have been used. To remove the exhaust filter, set the canister upright (as shown in figure 13), pull the cover release flap (20) outward and lift the cover (21) from the filter bag housing. Then, slide the exhaust filter housing (44) out. Pull the filter out. To replace, slide the new filter into the exhaust filter housing. Replace the exhaust filter housing (44), re-insert cover (21) into filter bag housing, push it forward, then lock it in place by pushing down the cover release flap (20).



Figure 14

Changing the Micro-Hygiene Filter - Figures 13 & 14

After 10 to 20 bags have been used, change the micro-hygiene filter (45). To remove the micro-hygiene filter, set the canister upright (as shown in figure 13), pull the cover release flap (20) outward and lift the cover (21) from the filter bag housing. Then, slide the filter (45) out. To replace, slide in the new filter, re-insert cover (21) into filter bag housing, push it forward, then lock it in place by pushing down the cover release flap (20).

Changing the AIRBELT - Figure 15

If damage occurs to the AIRBELT cover, it will need to be replaced. To remove the AIRBELT (11), pry off the clip (46) by inserting the tip of a slot-head screwdriver under the bottom side of the clip. Push downward on the screwdriver until the clip pops off. Grasp the edge of the AIRBELT cover and pull - the AIRBELT cover will peel off. The foam bumper (47) remains on the vacuum. To replace the AIRBELT, insert the side ribs into the grooves (48). Start at the back, insert rib into one groove (48), and while holding it down, stretch the AIRBELT cover around the foam into the opposite groove (48). Continue around the vacuum. Secure the ends with the clip (46).

SEBO AIRBELT covers are available in a variety of colors and patterns. See your SEBO dealer for available selection.

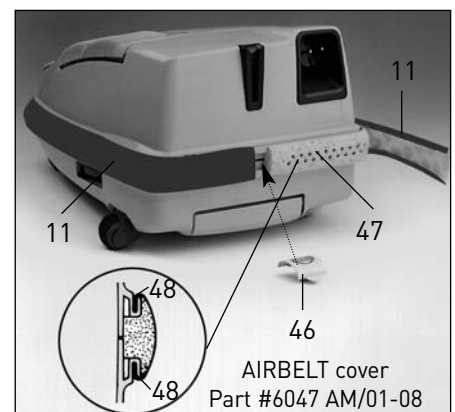


Figure 15

Note: Never operate the vacuum with incorrectly attached filters or without filters, bag, AIRBELT or filter bag housing cover (21). Do not re-use filter bags. Do not wash and re-use filters.

CLOG REMOVAL



Always unplug vacuum from outlet before removing any clogs!

NOTE! C3.1 users with ET-C, ET-H, ET-1 or ET-2 power heads, please refer to your power head user's manual for more detailed instructions for removing clogs in your power head.

If the "bag full or clog" warning light (10) remains illuminated after the filter bag has been changed and the filters are in good condition, there is likely a clog in the system.

Clogs in the Head or Brush - Figure 15

Clogs in the swivel neck (49) of a head or brush can be cleared by first pressing the tool release button (9) and removing the brush or head. Check inside the swivel neck channel (49), and clean out pathway.

Clogs in the Telescopic Tube - Figure 15

Remove head from telescopic tube (4) by pushing the tool release button and pulling the tube out. Remove the hose from the top of the telescopic tube by pushing the handle release button (3). A stiff wire or stick can be used to push the clog out of the tube.

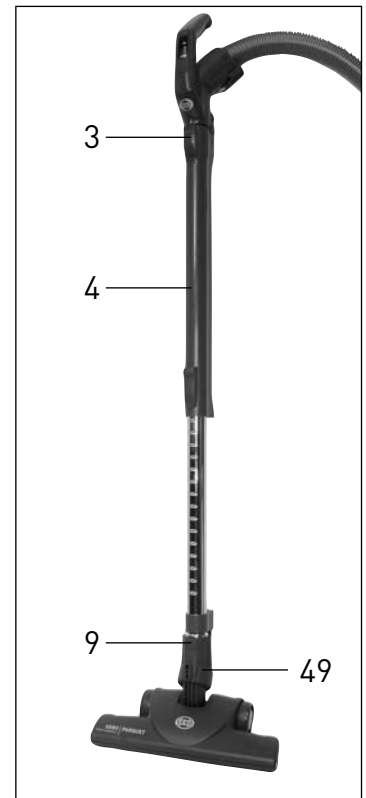


Figure 15

Clogs in the Hose - Figure 16

To clear blockages in the hose (10), remove the telescopic tube (4) by pushing the tool release button and pulling the tube out. Hold the hose upright with one hand blocking the top and switch on the machine. If necessary, quickly lift your hand on and off the end of the hose. If that does not clear the clog, you may also clear clogs by reversing the hose. After removing the telescopic tube, push the release button on the hose neck (6) and remove the hose from the machine. Insert the opposite end of the hose (10) into the suction neck (7). Hold the hose upright with one hand blocking the top and switch on the machine. If necessary, quickly lift your hand on and off the end of the hose.

Note: Do not insert a wire or stick into the hose. Doing so may cause damage to the hose.

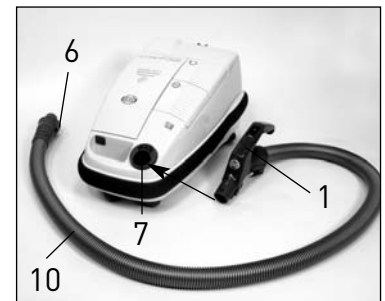


Figure 16

Clogs in Entrance to Filter Bag - Figure 17

Remove hose (10) from vacuum cleaner (see figure 16) and remove filter bag cover (figure 13, page 9). Clean out entrance to bag (50).



Figure 17

TROUBLE-SHOOTING GUIDE



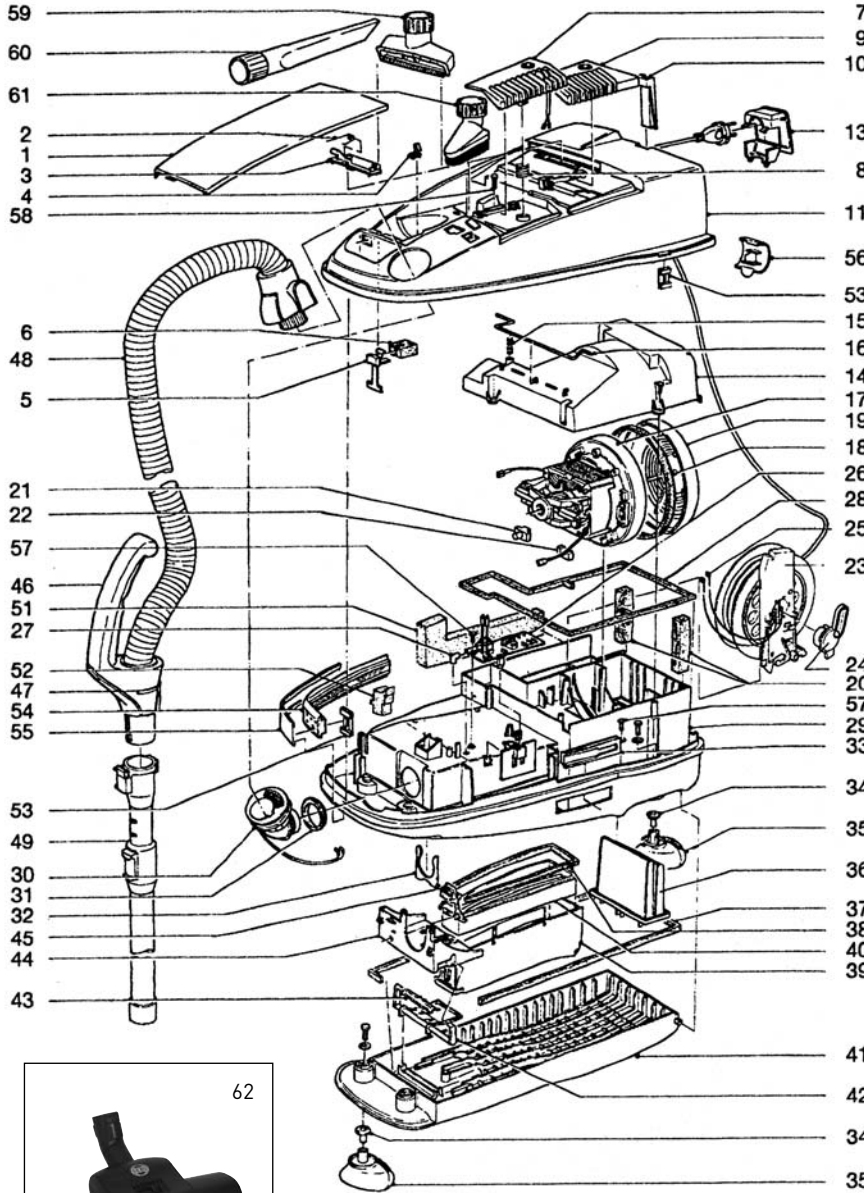
Always unplug vacuum from outlet before dismantling any part of the machine!

PROBLEM	REASON	SOLUTION
Does not turn on	1. Telescopic tube not inserted properly.	1. See page 5.
	2. Not plugged into working outlet.	2. Use another outlet.
	3. Cable worn.	3. Replace cable.
	4. C3.1: The power control slider switch is set to "0" ("off" position).	4. C3.1: Set slider switch to "on" position. See page 7.
Bag full or clog light on Bag full or clog light on & machine shuts off	1. Bag full.	1. Replace filter bag. See page 9.
	2. Clog in hose, telescopic tube, brush or head, or entrance to filter bag.	2. See Clog Removal on page 10. C3.1 users with clog in power head attachment: refer to clog removal in the ET-C, ET-H, ET-1 or ET-2 owner 's manual.
	3. Micro-hygiene filter dirty.	3. Replace micro-hygiene filter. See page 9.
	4. Exhaust filter dirty.	4. Replace exhaust filter. See page 9.
Does not pick up	1. Hose/handle assembly not correctly inserted.	1. Reinsert hose/handle assembly making sure that it is lined up properly and is snapped into place. See page 5.
	2. The suction control dial is rotated to no suction setting	2. C1.1 & C2.1: Rotate suction control dial to yellow setting. See page 6.
	3. Filter bag cover not closed.	3. See below.
Filter bag door won't fully close	1. Cover release flap not fully closed.	1. Reinsert bag. Lock the cover release flap (20) down firmly.
	2. Bag not inserted properly	2. Reinsert bag with cover release flap (20) up, until firmly latched in bag holder (see pg. 9, figures 12 & 13).
	3. Micro-hygiene filter not properly inserted.	3. Remove the filter bag cover (21) and make sure the micro-hygiene filter housing is seated firmly in place (see pg. 9, figure 14).

C2.1 AIRBELT SCHEMATIC AND PARTS LIST

9648 AM C2.1 (Teal)

9646 AM C2.1 (Red)



Canister with Handle/Hose

Teal Machine

Pos.	Part #	Description
1	6383 TK	Attachment cover - C2.1 teal
	6382 AM	C1.1 teal
2	6045	Spring
3	6168 DG	Bearing block / hinge
4	6117 ER	Attachment clip set of 3
5	6083 DG	Release button
6	6128	Foam seal
7	6309 TK	On/Off pedal (incl. Pos. 8)
8	6143	Spring
9	6006 TK	Seal
10	6008 DG	Parking holder, rear
11	6127 TK	Top Casing - C2.1 teal
13	6007 DG	Plug surround
14	6192	Motor cover
15	6023	Spring
16	6022	Rod
17	6165	Vacuum motor 120 V 1250 W
	5101	Carbon brush vac motor
18	6306	Seal, motor cover
19	6193	Motor cover
20	6188 ER	Rubber mounting (2 pcs.)
21	6173	Engine mounting
22	6189	Engine mounting
23	6368 US	Cable rewind unit
24	6293	Air Adapter
25	6291	Internal cable
26	6295 ER	Electronic Controller C2.1 120 V
27	6088	Elbow
28	6186	Seal
29	6197 DG	Bottom casing - dark gray
30	6319 UL	Suction neck
31	6014	Seal
32	6042	Spring lock
33	6009 DG	Parking holder - side
34	6027 ER	Pin
35	6095 DG	Castor, complete
36	6191 AM	Hospital grade microfilter
37	6187	Seal, bag cover
38	6034	Seal, microfilter
39	6003 DG	Microfilter holder
40	6033 AM	Exhaust filter
	6108 AM	Carbon-anti-odor filter (optional)
41	6093 DG	Bag cover, complete
42	6036 DG	Cover release with seal
43	6039	Bearing cover
44	6094	Bag holder cpl. (incl Pos. 45)
45	6170 ER	Safety catch with spring
46	6300 HG	Handle grip cpl. - light gray
	6300 DG	Handle grip cpl. - dark gray
47	6303 HG	Retaining ring - light gray
	6303 DG	Retaining ring - dark gray
48	6355 AM	Hose with end couplings - 7 ft.
	6343 DG	Hose with end couplings - 6 ft.
49	1726 HG	Telescoping tube C2.1 - light gray
	6271 DG	Telescoping tube C2.1 - dark gray
50	6120/3	Foam seal
51	5091	Safety catch spring
52	6213	Foam seal
53	6086 ER	Casing clip / set of 3
54	6046 UL	Foam bumper
55	6047 AM/01	AIRBELT textile cover - dark gray
56	6048 DG	AIRBELT clip
57	0102	Screw F 3.9 x 13
58	0199	Screw M4 x 12
59	1491 DG	Upholstery nozzle
60	1092 DG	Crevice nozzle
61	1329 DG	Dusting brush
62	6780 ER	Turbo head- dark gray (Standard with C2.1)
63	7200 DG	Premium Parquet nozzle-dark gray (Standard with C2.1)

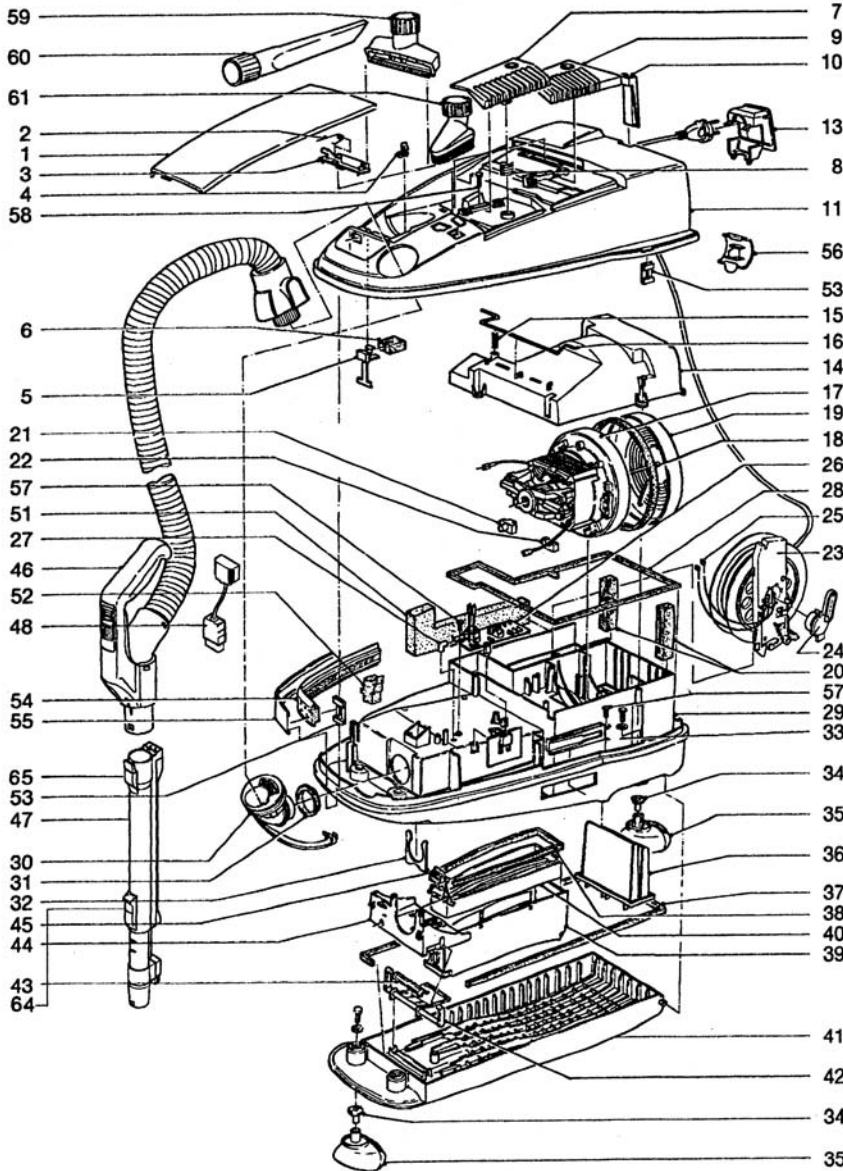
Red Machine Exceptions

Pos.	Part #	Description
1	6383 AM	Attachment cover - C2.1 red
7	6309 DR	On/Off pedal (incl. Pos. 8)
9	6006 DR	Cable rewind pedal - red
11	6127 DR	Top casing - C2.1 red

C3.1 AIRBELT SCHEMATIC AND PARTS LIST

9630 AM C3.1 (White)

9652 AM C3.1 (Red)



Canister with Handle/Hose

White Machine

Pos.	Part #	Description
1	6215 AM	Attachment cover - white
2	6045	Spring
3	6168 DG	Bearing block / hinge
4	6117 ER	Attachment clip set of 3
5	6083 DG	Release button
6	6128	Foam seal
7	6005 GW	On/Off pedal (incl. Pos. 8)
8	6143	Spring
9	6006 GW	Cable rewind pedal
10	6008 DG	Parking holder, rear
11	6397 GW	Top casing C3.1 - white
13	6007 DG	Plug surround
14	6192	Motor cover
15	6023	Spring
16	6022	Rod
17	6165	Vacuum motor 120 V 1250 W
	05101	Carbon brush vac motor
18	6306	Seal, motor cover
19	6193	Motor cover
20	6188 ER	Rubber mounting (2 pcs.)
21	6173	Engine mounting
22	6189	Engine mounting
23	6368 US	Cable rewind unit
24	6293	Air Adapter
25	6291	Internal cable
26	6407 ER	Electronic Controller C3.1 120 V
27	6088	Elbow
28	6186	Seal
29	6197 GW	Bottom casing - white
30	6318 UL	Suction neck
31	6014	Seal
32	6042	Spring lock
33	6009 DG	Parking holder - side
34	6027 ER	Pin
35	6095 DG	Castor, complete
36	6191 AM	Hospital grade microfilter
37	6187	Seal, bag cover
38	6034	Seal, microfilter
39	6003 GW	Microfilter holder
40	6033 AM	Exhaust filter
	6108 AM	Carbon-Anti-odor filter (optional)
41	6093 GW	Bag cover, complete
42	6036 DG	Cover release with seal
43	6039	Bearing cover
44	6094	Bag holder, cpl. (incl Pos. 45)
45	6170 ER	Safety catch with spring
46	6348 AM	Handle w/hose C3.1, cpl. Light Gray - 6 ft.
	6349SE	Handle w/hose C3.1 & K3, cpl. Dark Gray - 6 ft.
	6349 AM	Handle w/hose C3.1 & K3, cpl. Dark Gray - 7 ft.
47	6270 DG	Telescoping tube C3.1
48	6369 DG	Mains cable - dark gray
	6369 UL	Mains cable - light gray
51	6120/3	Foam seal
52	6213	Foam seal
53	6086 ER	Casing clip / set of 3
54	6046 UL	Foam bumper
55	6047 AM/01	AIRBELT textile cover
56	6048 DG	AIRBELT clip
57	0102	Screw F 3.9 x 13
58	0199	Screw M4 x 12
59	1491 DG	Upholstery nozzle
60	1092 DG	Crevice nozzle
61	1329 DG	Dusting brush
63	7200 DG	Premium Parquet nozzle - dark gray [Standard with C3.1]
64	6421 DG	Slider button, cpl.
65	6420 DG	Tube release button, complete

Red Machine Exceptions

Pos.	Part #	Description
1	6383 C3	Attachment cover - C3.1 red
7	6005 DR	On/Off pedal (incl. Pos. 8)
9	6006 DR	Cable rewind pedal - red
11	6397 DR	Top casing - C3.1 red
29	6197 DG	Bottom Casing C3.1 - dark gray
41	6093 DG	Bag Cover cpl. - red



SEBO VACUUM CLEANER WARRANTY

Five Years Non-Wear Parts - Five Years Motor - One Year Labor

1. Your authorized SEBO dealer or SEBO will provide the original product purchaser with replacement of Non-Wear Parts which fail due to a material or workmanship defect for a period of five (5) years from the original date of purchase of new product. SEBO America will provide a five (5) year warranty on suction motors and brush drive motors.
2. Your authorized SEBO dealer or SEBO will repair (or will cover labor charges associated with repair) a defective SEBO vacuum cleaner at no cost to the original purchaser, within one (1) year of original purchase of new product.
3. SEBO America or an authorized SEBO dealer must complete all warranty repairs.
4. To locate an authorized SEBO dealer in your area, or to register a warranty claim in the **United States of America, please visit our website at www.sebo.us.**
5. To locate an authorized SEBO dealer in your area, or to register a warranty claim in **Canada, please call Floor Care Equipment, Ltd. at (403) 250-5005.**
6. The warranties provided for above apply exclusively to SEBO Vacuum Cleaners which are used residentially. No warranty is provided for SEBO vacuum cleaners used commercially.
7. The Wear Parts excluded from warranty coverage include filter bags, micro-hygiene filters, exhaust filters, the cable (external cord), the attachment hose, the brush rollers, the front bottom plate, the rear bottom plate, the telescopic tube, the crevice nozzle, the upholstery nozzle, the dusting brush and all of the optional attachments. [See "Optional Attachments" on page 5 of this manual].
8. This warranty applies only while your SEBO Vacuum Cleaner is physically located within the United States of America and its territories or Canada.
9. The purchase receipt showing the date, price, and item of purchase is the initial document of proof of purchase and determines the validity of warranty. To be certain that your warranty claim can be processed as quickly and efficiently as possible, please retain your original purchase receipt and mail in the warranty card provided with your new SEBO vacuum cleaner. You may also register on our website at www.sebo.us.
10. This warranty gives you specific legal rights. You may also have other legal rights, which vary from state/province to state/province.
11. SEBO America will not process nor will it accept responsibility for warranty claims for machines purchased from dealers located in Canada. Floor Care Equipment, Ltd. will not process nor will it accept responsibility for warranty claims for machines purchased from dealers located in the United States.

EXCLUSIVE REMEDY: The remedies provided under the terms of this Warranty are the purchaser's exclusive remedies and are in lieu of any other remedies otherwise available.

THE WARRANTY DOES NOT COVER:

- Used or secondhand products.
- Products outside of the warranty period.
- Items not manufactured by SEBO.
- Normal maintenance service.
- Equipment damaged by improper use, accident, other casualty or negligence.
- Machines equipped with nonauthorized attachments or modifications.
- Machines on which the serial number has been altered or removed.

LIMITATIONS AND EXCLUSIONS:

SEBO MAKES NO OTHER REPRESENTATIONS OR WARRANTIES, EXPRESSED OR IMPLIED AND SPECIFICALLY EXCLUDES THE IMPLIED WARRANTIES OF MERCHANTABILITY AND FITNESS FOR A PARTICULAR PURPOSE.

SEBO WILL NOT BE LIABLE FOR INCIDENTAL OR CONSEQUENTIAL DAMAGES OF ANY KIND OR NATURE.

THIS DISCLAIMER OF IMPLIED WARRANTIES SHALL NOT APPLY TO THE EXTENT SAID DISCLAIMER IS NOT ALLOWED BY APPLICABLE STATE/PROVINCIAL LAW.

To contact SEBO in the United States of America:

SEBO America, LLC
Telephone: (303) 792-9181
Fax: (303) 792-9196
Website: www.sebo.us

To contact SEBO in Canada:

Floor Care Equipment, Ltd.
Telephone: (403) 250-5005
Fax: (403) 250-5057
Website: www.sebocanada.ca



MADE IN GERMANY